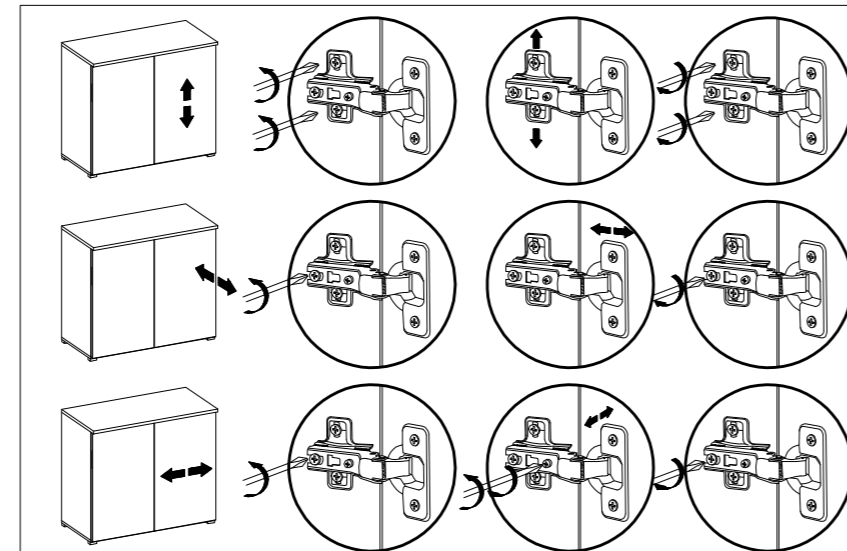
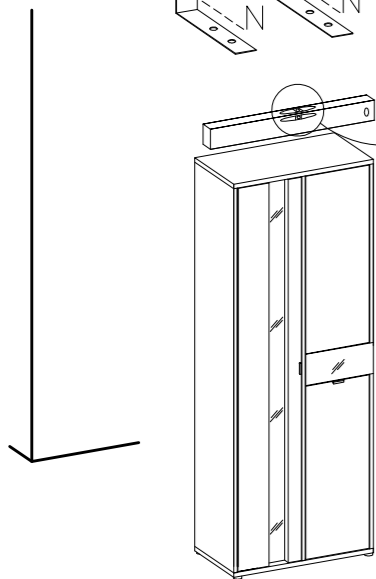
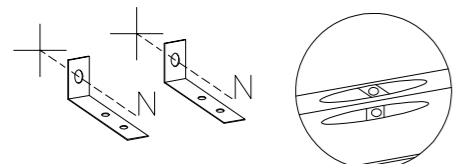
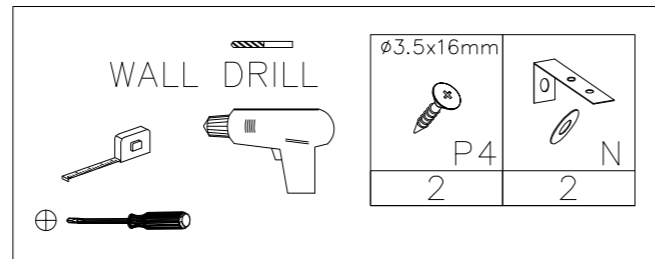
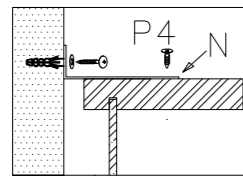
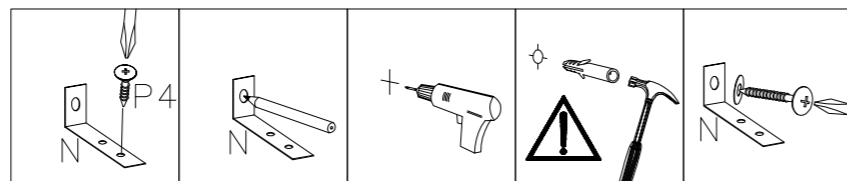
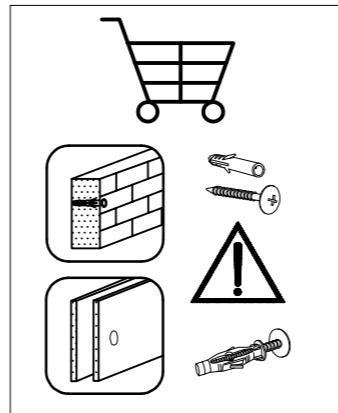
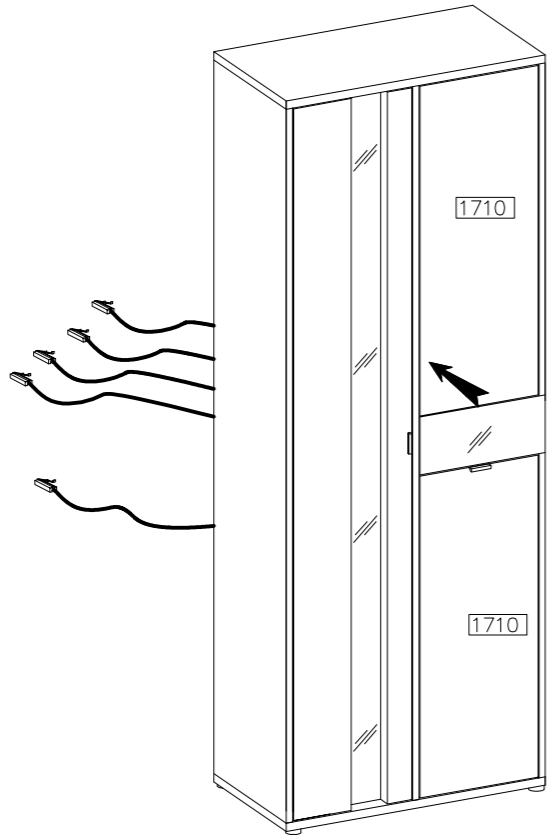
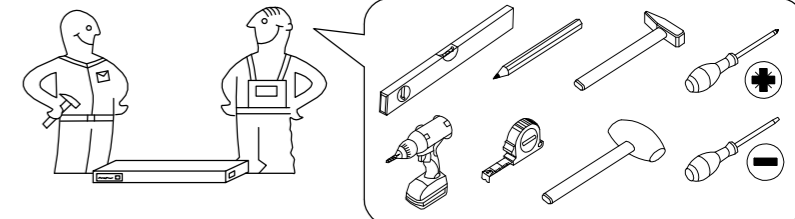


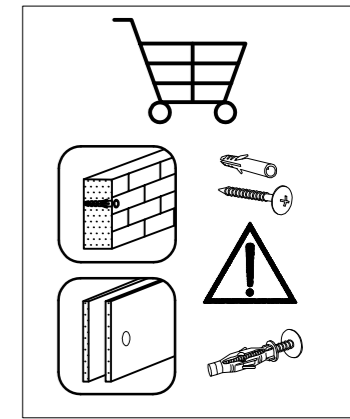
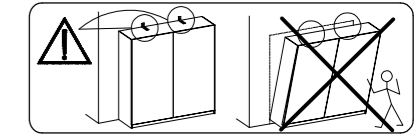
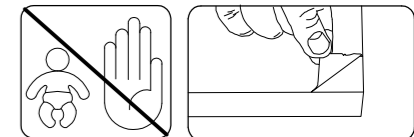
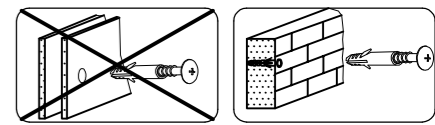
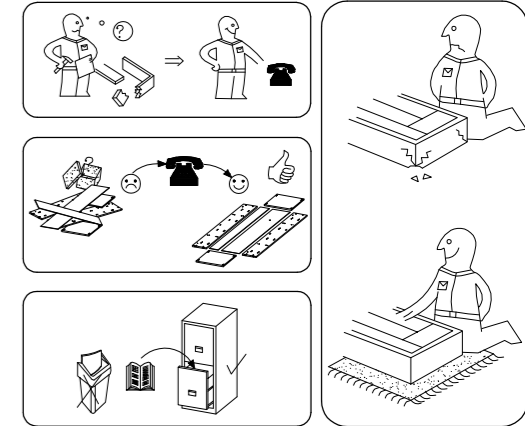
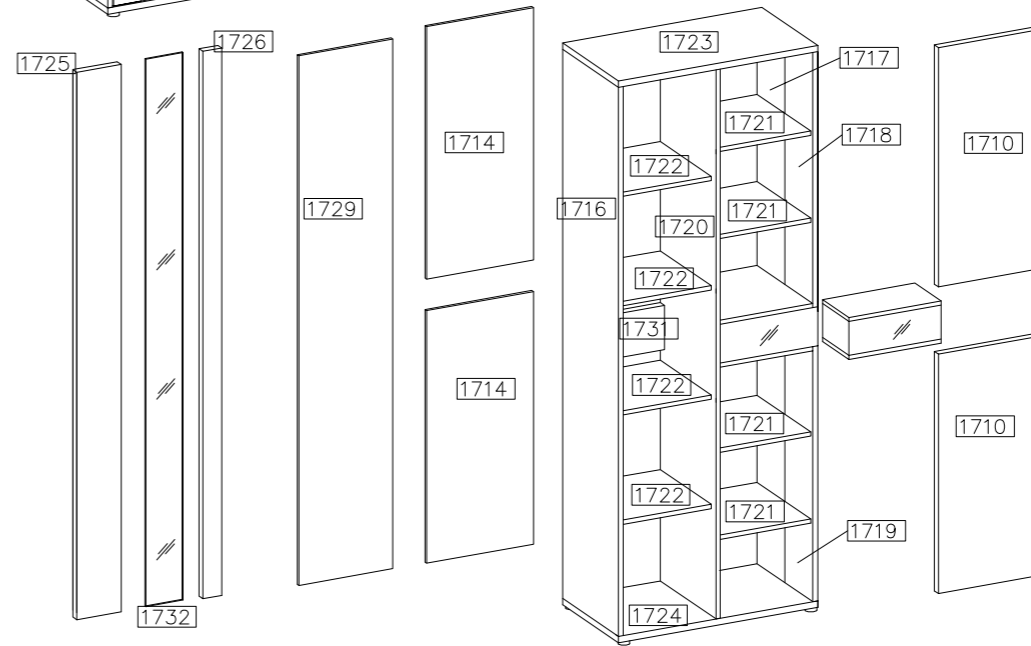
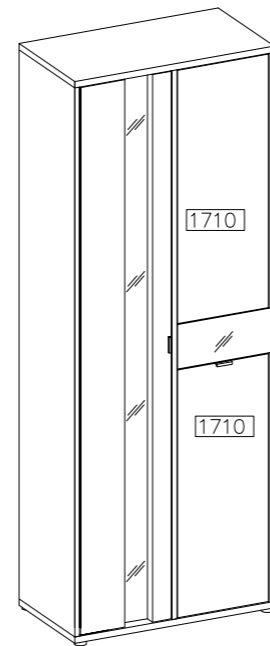
PUSH TO OPEN



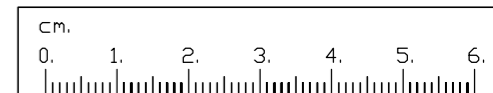
EVOLUTION EV 02

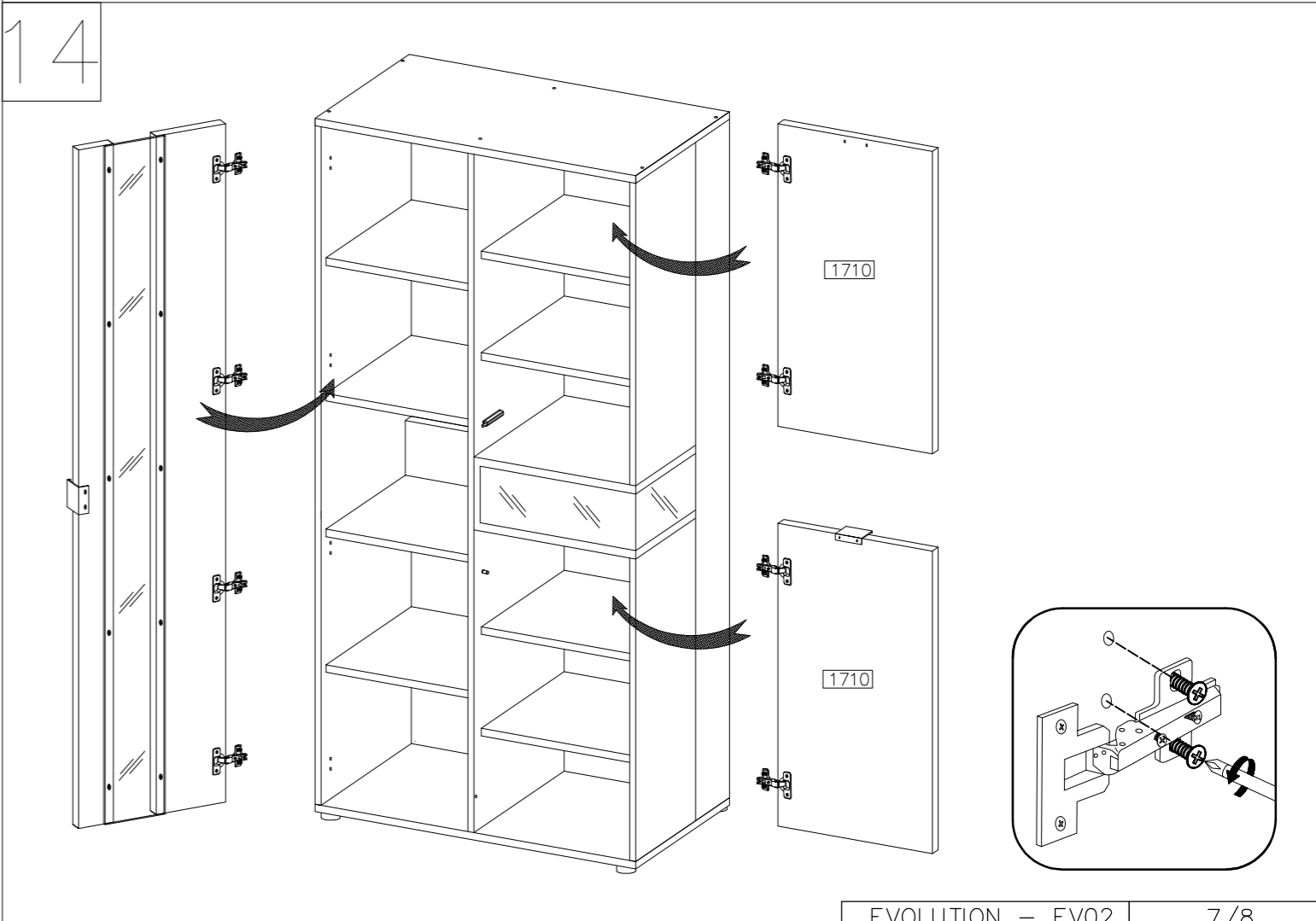
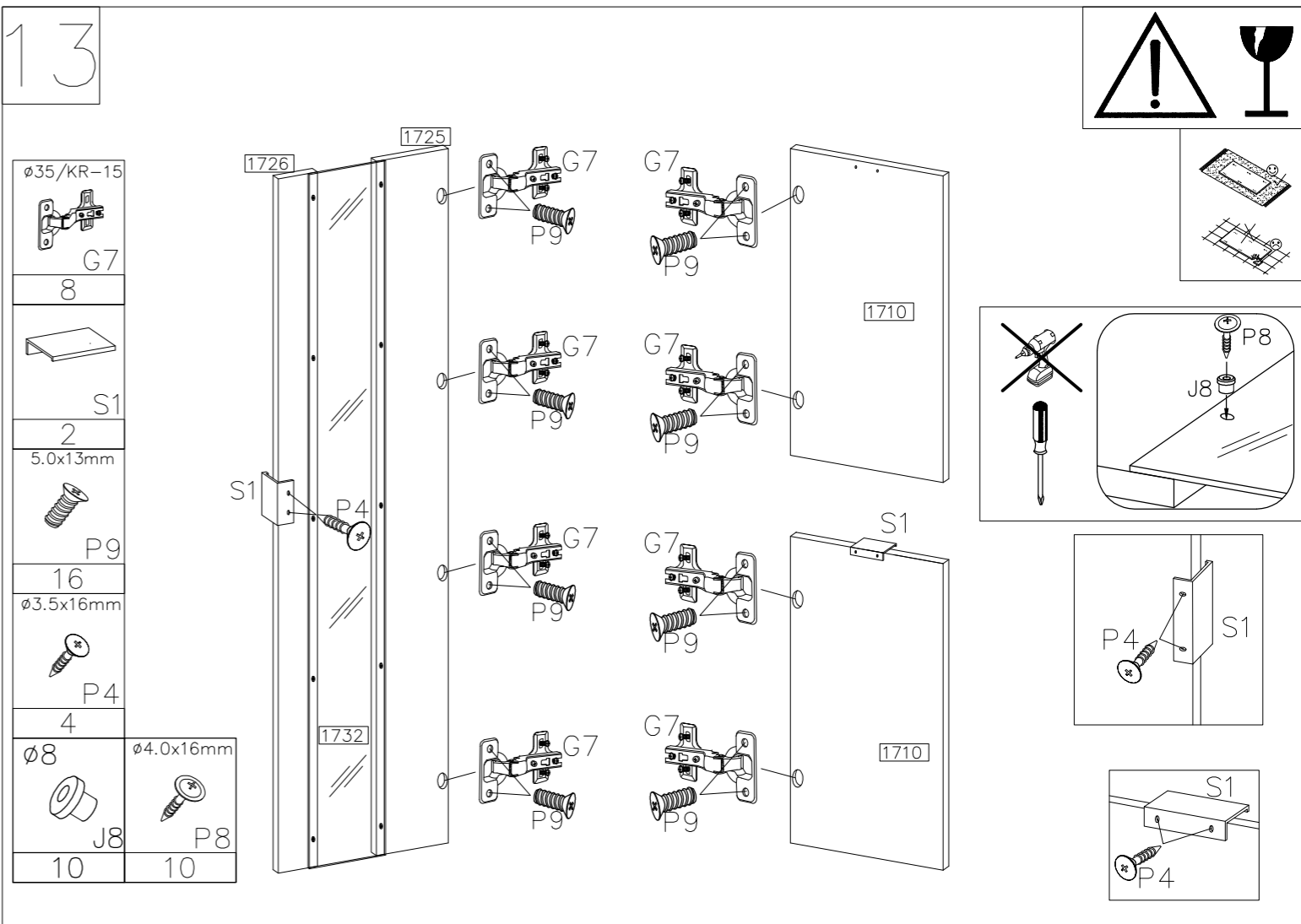
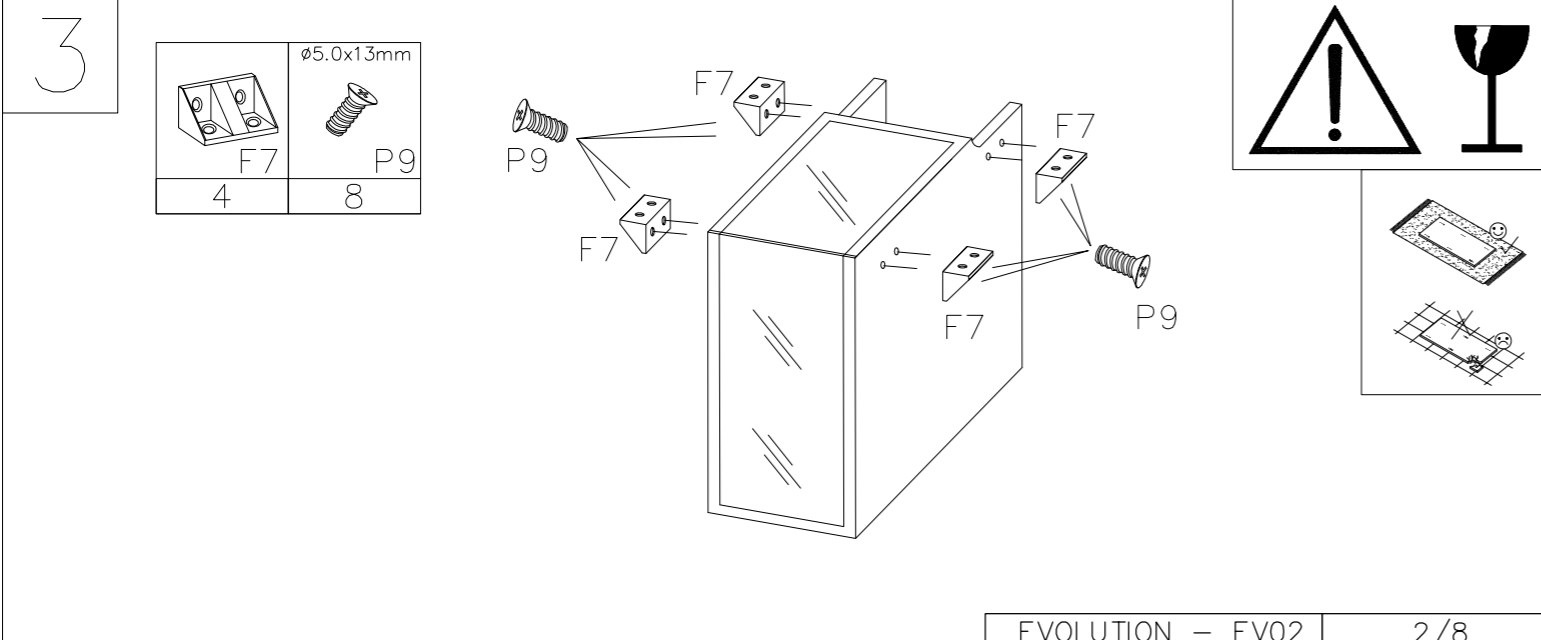
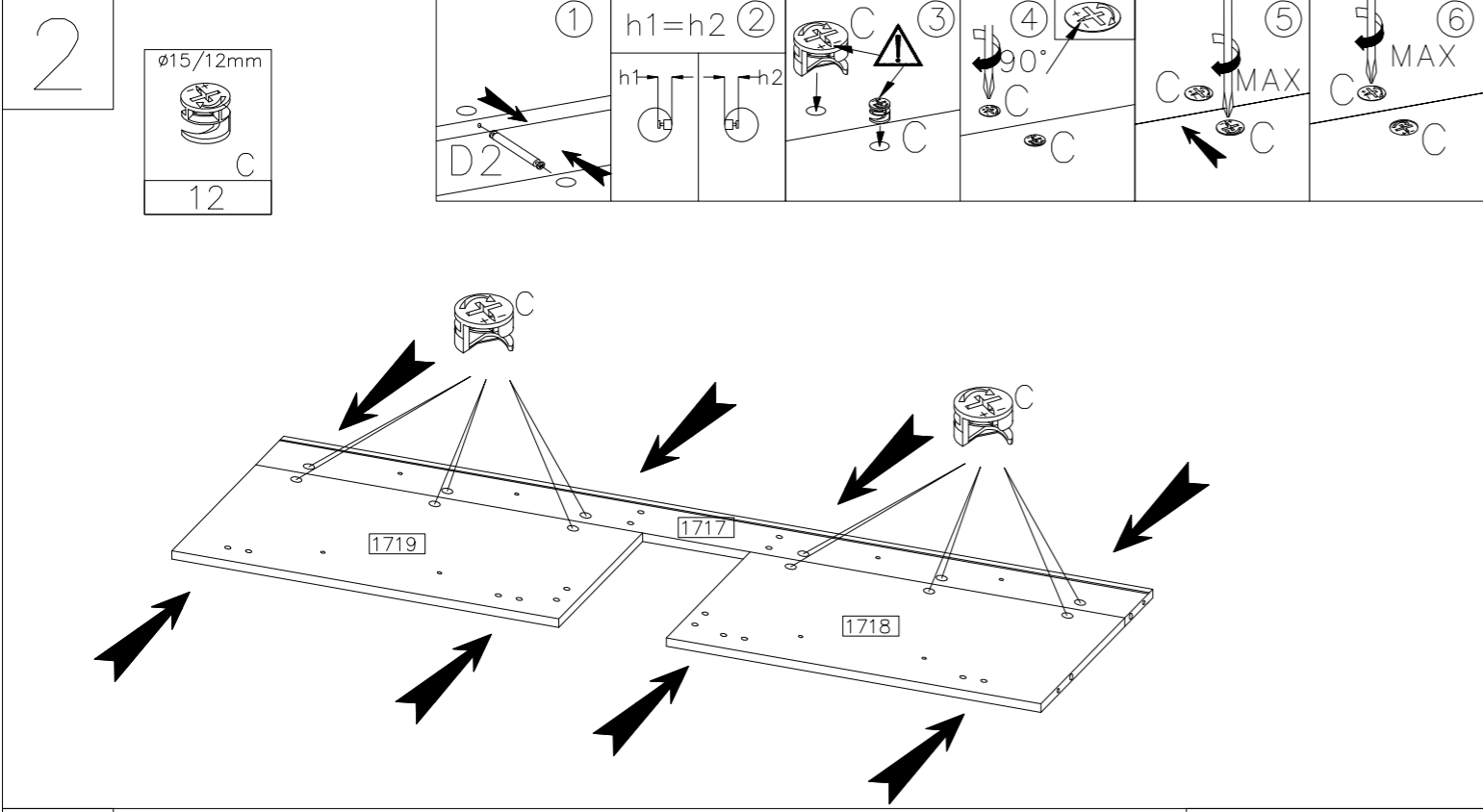
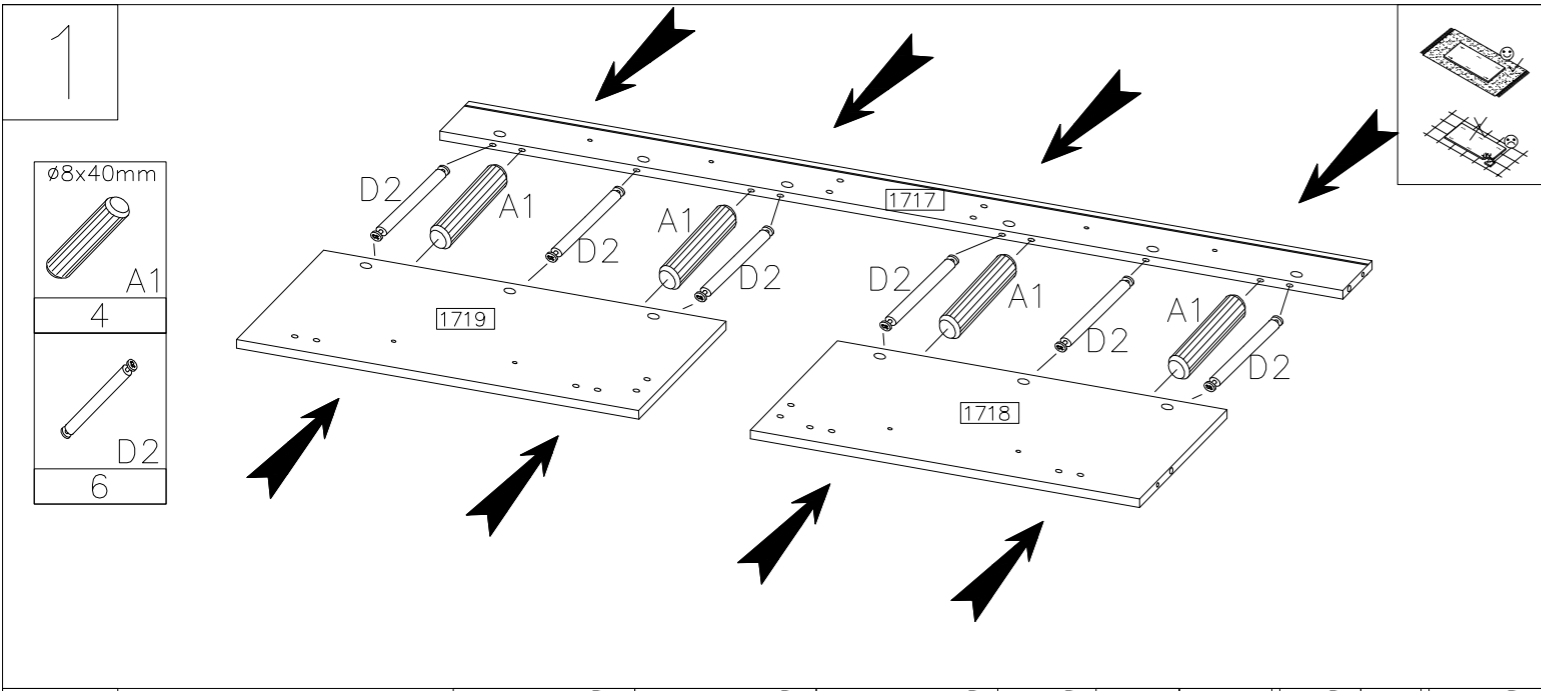


#	ART. NR	L	W	T	Q	Col.No
1	1716	1908	370	16	1	2
2	1717	1908	126	16	1	2
3	1718	854	244	16	1	2
4	1719	854	244	16	1	2
5	1720	1908	350	16	1	2
6	1721	408	330	16	4	1
7	1722	432	320	16	4	1
8	1723	892	371	16	1	1
9	1724	892	371	16	1	1
10	1725	200	1900	16	1	2
11	1726	100	1900	16	1	2
12	1710	404	847	16	2	2
13	1729	449	1923	2,5	1	2
14	1714	423	877	2,5	2	2
15	1731	433	230	16	1	1
16	1732	1900	180	4	1	2






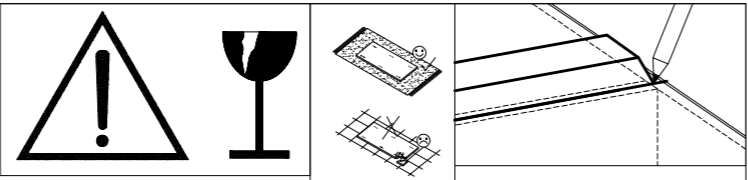
ø8x30mm A	ø8x40mm A1	B	ø15/12mm C	D1	D2	E	E1	ø3.0x16mm P1	ø35/KR-15 G7	L
16	4	16	16	4	6	16	16	20	8	12
4mm O	ø5.0x13mm P9	S1	J4	ø3.5x16mm P4	N	F10	F8	ø8 J8	ø4.0x16mm P8	
1	32	2	35	8	2	5	15	10	10	
ø4.0x25mm P12	F4	J1	F7	V1	V2					
5	5	1	4	1	4					

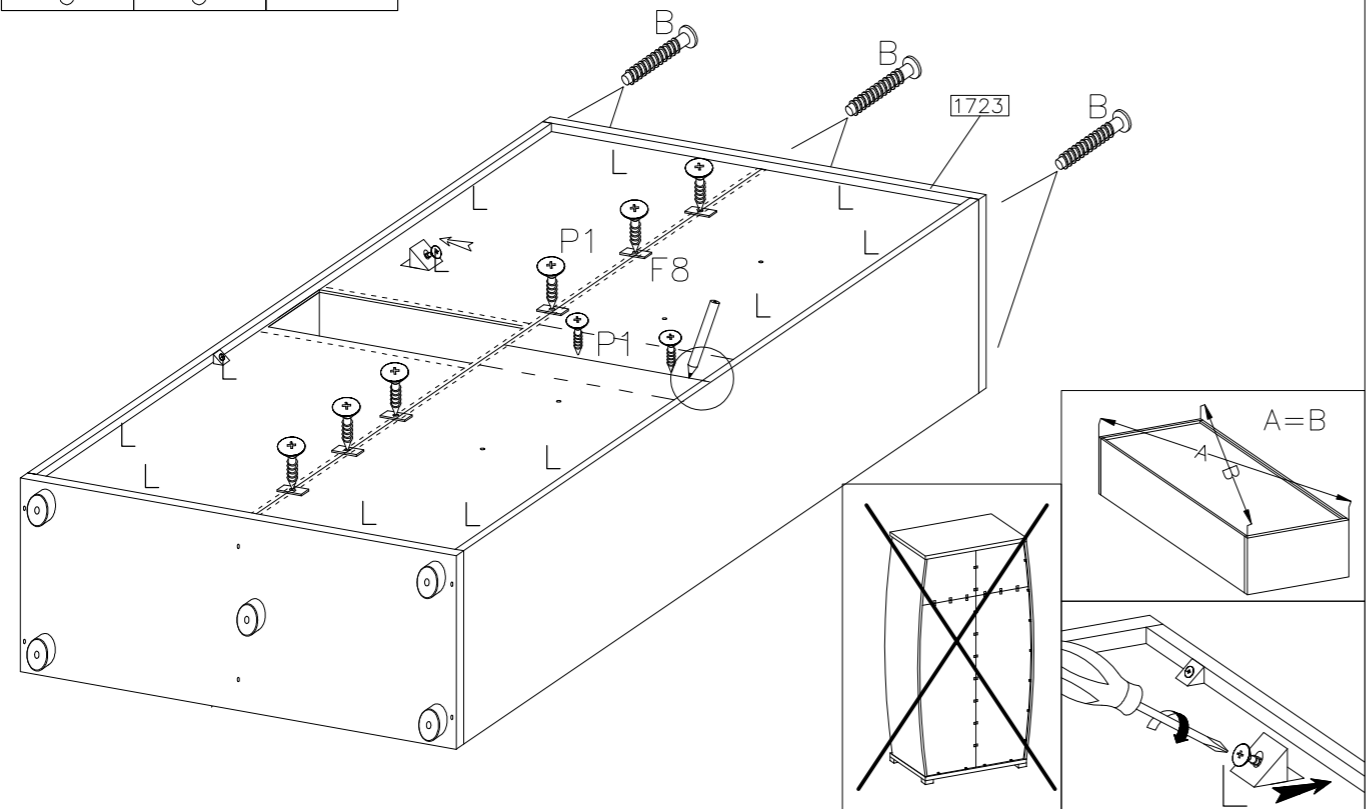




11

		
B 6	E1 6	O


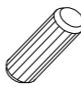

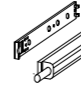



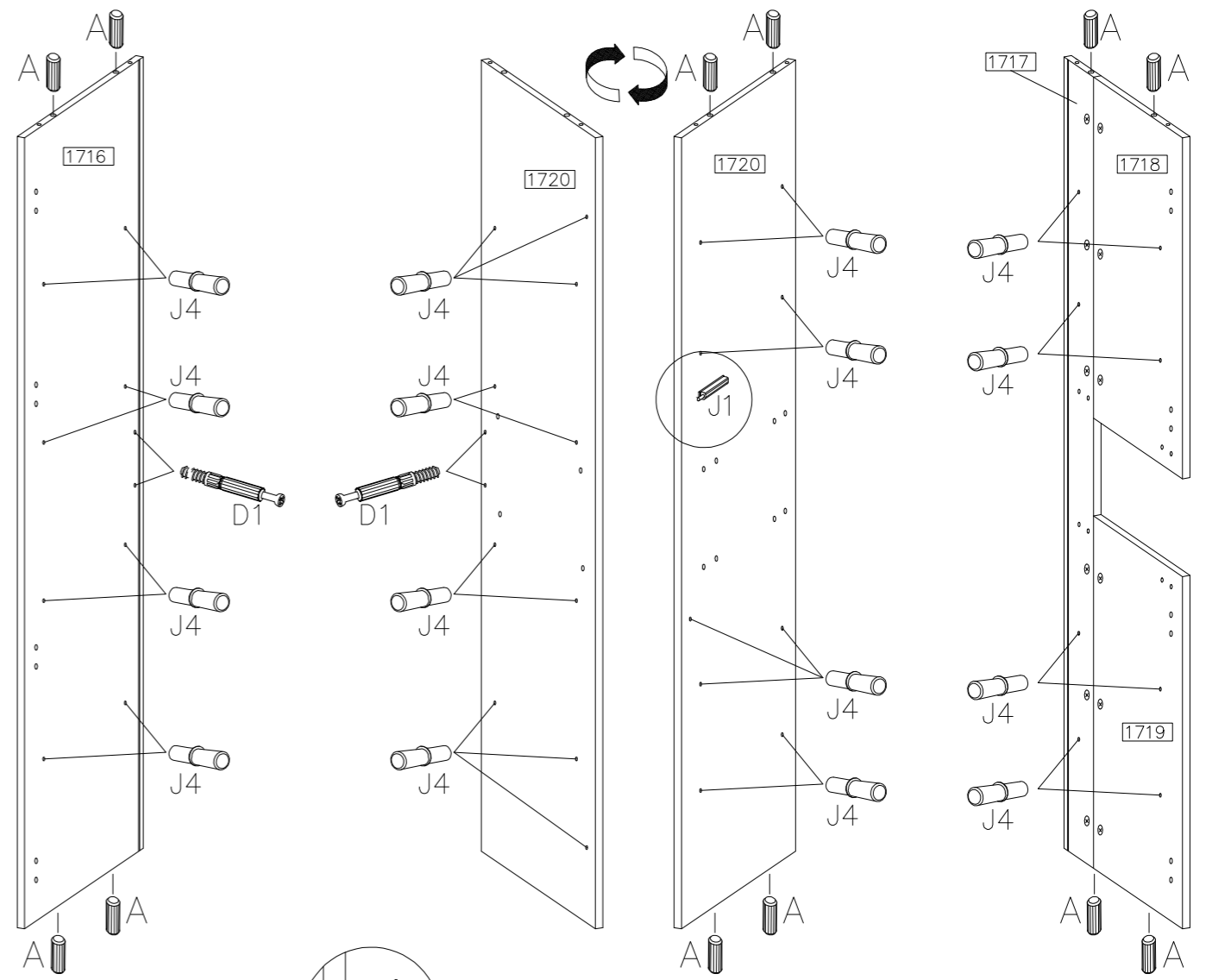


Parts list for step 11:

- Ø3.0x16mm P1: 20
- L: 12
- F8: 15
- F10: 5

4

				
D1 4	Ø8x30mm A 12	J4 35	J1 1	Ø3.5x16mm P4 2



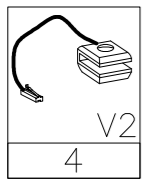
Parts list for step 4:

- J1: 2
- J1: 1
- J4: 35
- A: 12
- D1: 4

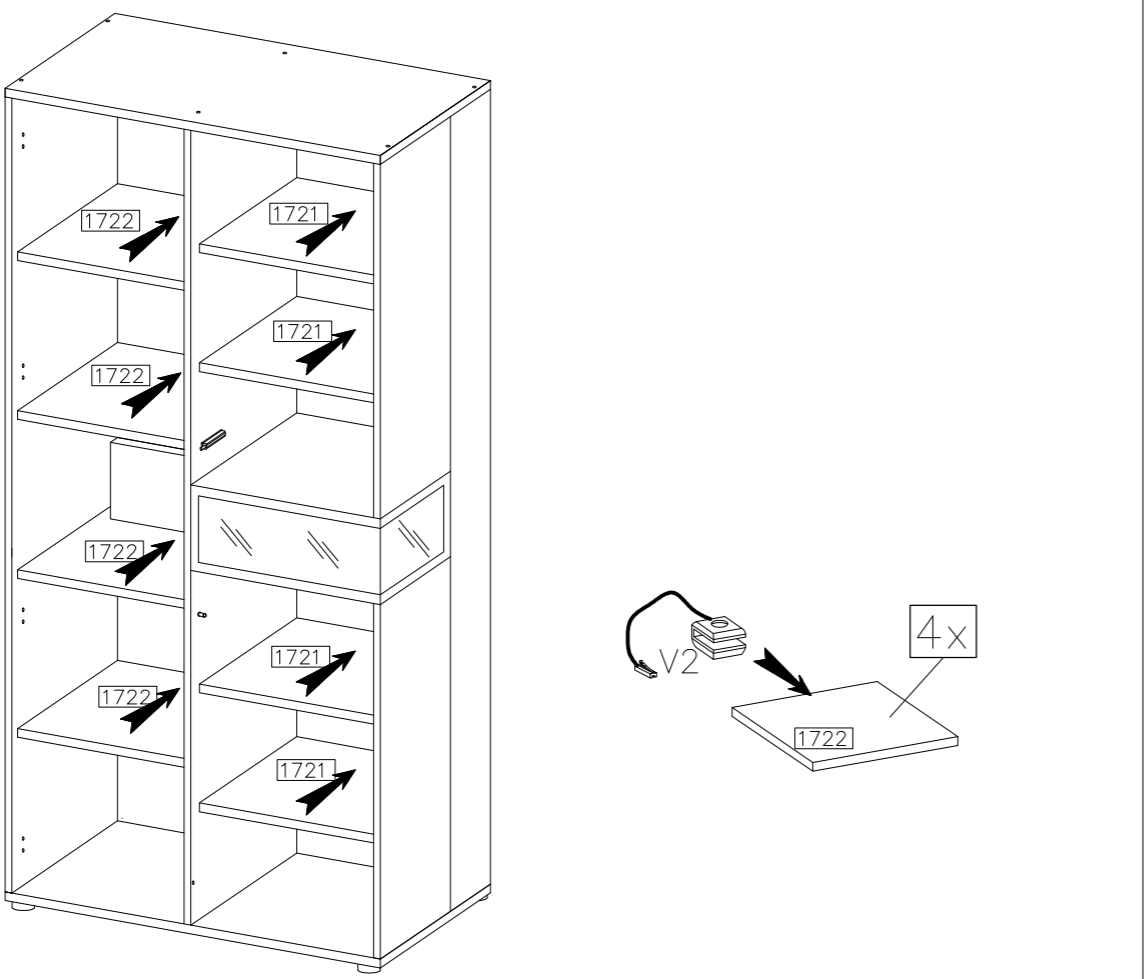
Assembly instructions for step 4:

- Insert bracket J1 into the slot.
- Click the bracket into place (KLICK!).

12




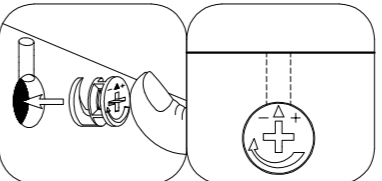
V2
4

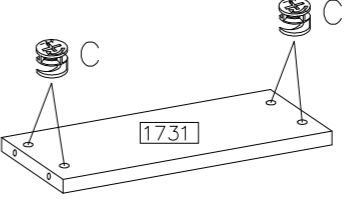


Parts list for step 12:

- 1722: 4x
- 1721: 4x

5

	
Ø15/12mm C 8	



Parts list for step 5:

- C: 8

6

	$\varnothing 5.0 \times 13 \text{mm}$
E1	P9
6	8

B

4
4mm

O

1
$\varnothing 8 \times 30 \text{mm}$

A

4

F7

P9

1719

1720

7

E

4

1718

1720

1731

1716

1719

8

B

6

E1

6

O

6

B

6

E1

6

1720

1716

1724

9

$\varnothing 4.0 \times 25 \text{mm}$	
P12	F4
5	5

1720

1731

1716

1724

F4

P12

$1/2$

1

40mm

40mm

F4

10

B

6

E1

6

1714

1729

1716

1724